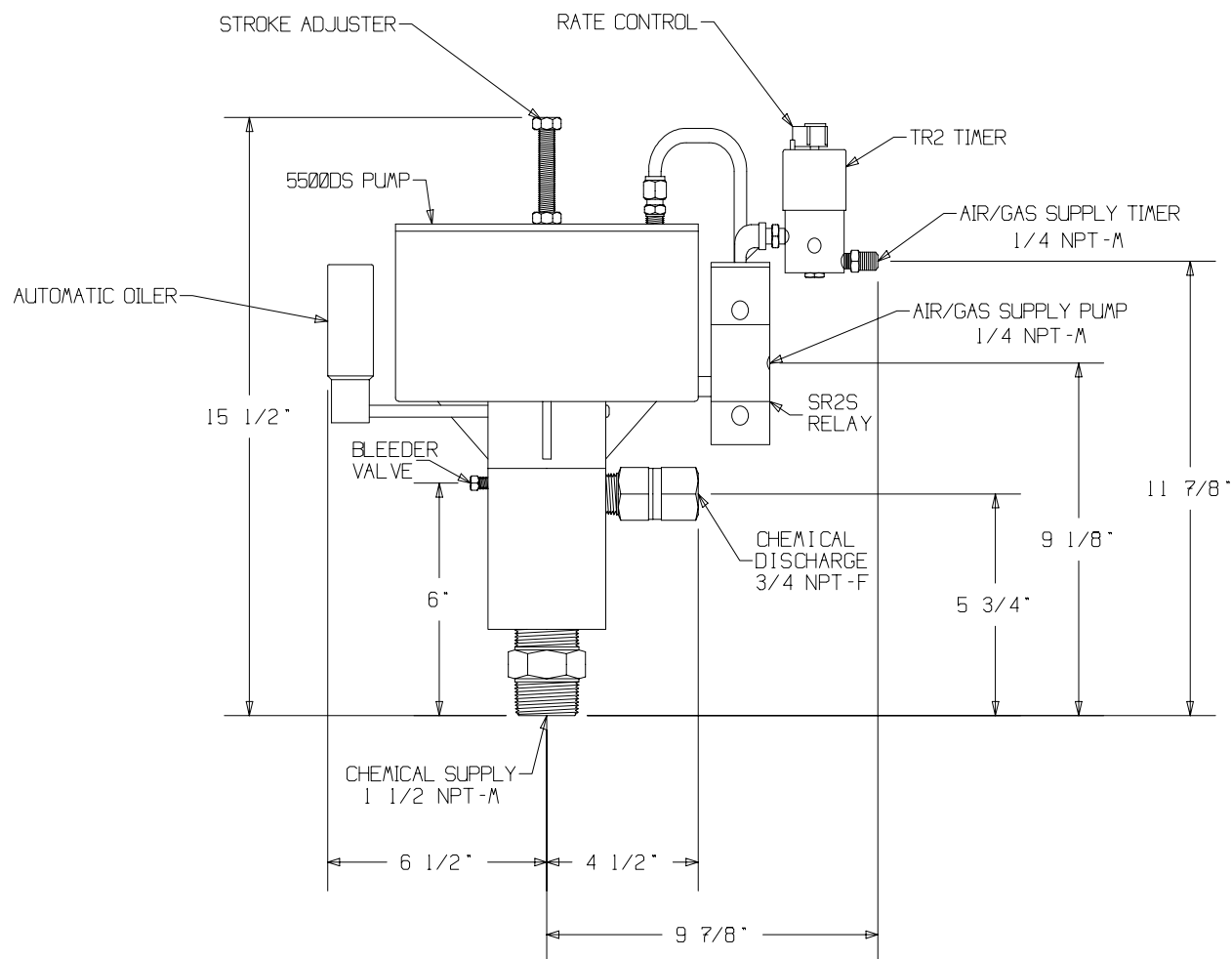


MORGAN PRODUCTS

MODEL 8500DS-TR2-SR2S

AIR ACTUATED POSITIVE DISPLACEMENT PUMP



MODEL (WITH TIMER)	DISPLACEMENT	PUMP RATIO	STROKE LENGTH in. - cm.	CONNECTIONS ALL NPT INPUT / OUTPUT	MAXIMUM DISCHARGE PSI - BAR	OUTPUT PER HOUR GAL. / LTS.
8500DS-TR2-SR2S	154.0 cc	14:1	3.1 - 7.87	1 1/2 - M / 3/4 - F	2100 - 144	9 - 90 / 34 - 341

MORGAN PRODUCTS INC. 28103 Ave. Stanford / Valencia, CA 91355

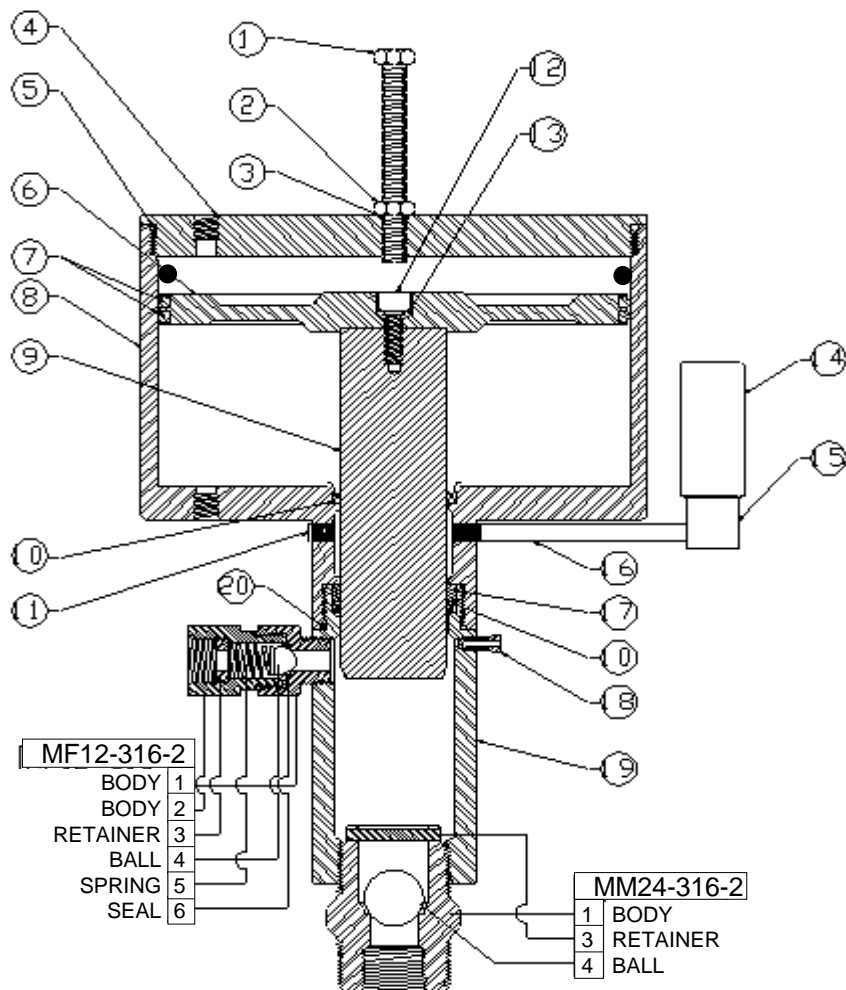
(805) 257-3022 - (800) 421-8910 - FAX (805) 257-3385

www.morganproducts.com - E-Mail info@morganproducts.com

MORGAN PRODUCTS

PNEUMATIC CHEMICAL PUMPS FOR THE GAS AND OIL INDUSTRIES

PARTS LIST MODEL 8500DS



No.	Name	Part No.
1	Stroke Adjuster	5000-1
2	Locknut	3000-2
3	O-Ring	3000-3 *
4	Air Chamber Cap	8000-33
5	O-Ring	8000-34 *
6	Piston	8000-8 *
7	Piston Seal	8000-9 *
8	Air Chamber	8000-4
9	Plunger 17-4 TN	5000-15 *
	Optional Plungers	
	316 ss	5500-17
	Carpenter 20	5000-18
10	Pressure Seal	
	Standard TG	5000-20 *+(2)
	Optional	
	Buna-N	5000-20B
	Viton	5000-20V
	Fluoraz	5000-20F
11	1/8 npt Plug	5000-38
12	Piston Bolt	5000-7
13	O-Ring	100-3
14	4oz. Oil	5000-24
15	Oil Reservoir	3000-25
16	Nipple	8000-32
17	Back-Up Ring	5000-19 *+
18	Bleeder	125-22
19	Fluid Chamber	5000-23
20	O-Ring	5000-21 *
	1oz Grease	*
	Repair Kits:	
	17-4 TN Plunger	5000-50
	316 ss Plunger	5500-50
	Seal Sets:	
	TG	5000-48
	Buna-N	5000-48B
	Viton	5000-48V
	Fluoraz	5000-48F

* = Included in Repair Kit

+ = Included in Seal Set

To order check valve parts, use check valve designation & dash number. Example: Ball for MF12-316-2 Order MF12-316-2/4
Keep all rubber goods lubricated with Morgan Products grease or equivalent.

MORGAN PRODUCTS INC. 28103 Ave. Stanford / Valencia, CA 91355

(805) 257-3022 - (800) 421-8910 Toll Free - Fax (805) 2573385

E-Mail info@morganproducts.com - Web www.morganproducts.com