

MORGAN PRODUCTS

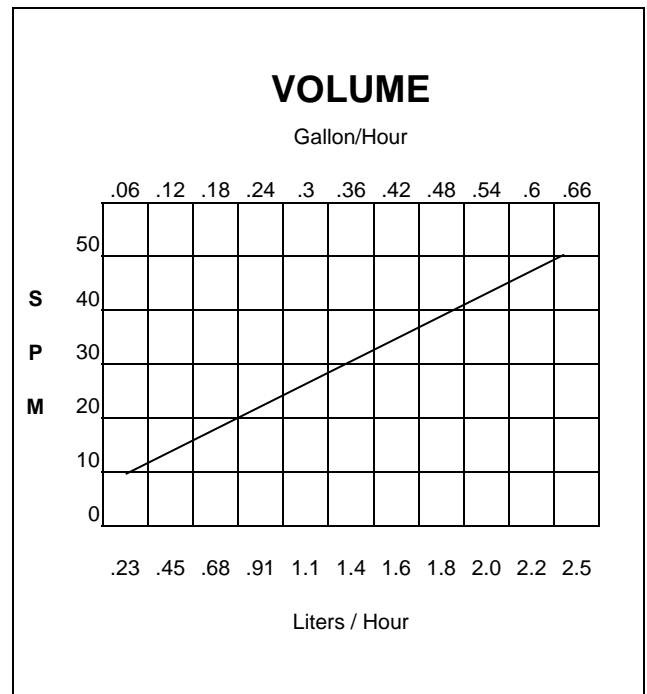
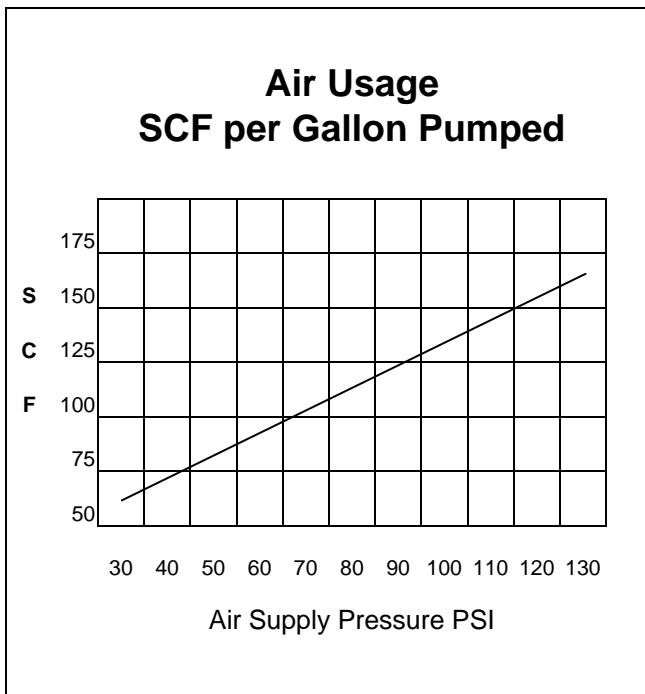
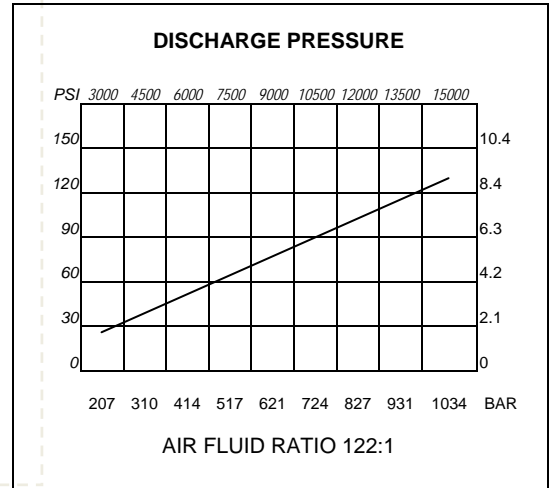
PNEUMATIC CHEMICAL PUMPS FOR THE GAS AND OIL INDUSTRIES

Setup and Features Model 325DS

All stainless steel construction. Standard plunger material is 17-4 stainless with Titanium Nitride coating. Titanium Nitride is an extremely hard ceramic material. All fluid components are 316 SS, air drive is a mix of 300 series stainless. Standard pressure seal is Graphite filled Teflon. Check valves have Teflon seats. Piston return spring is Teflon coated for increased performance. All pumps are individually tested for performance and quality.

INSTALLATION INSTRUCTIONS

1. Discard all red plastic closures.
2. Connect suction check valve, to a gravity fed chemical source.
3. Connect discharge check valve, to process line.
4. Connect a regulated air or gas supply, to the timing relay.
5. Open bleeder valve until chemical flows from bleeder.
6. Set regulator at 10 to 15 psi ABOVE the pressure required.
(See discharge pressure graph).
7. Set cycle rate in strokes per minute.



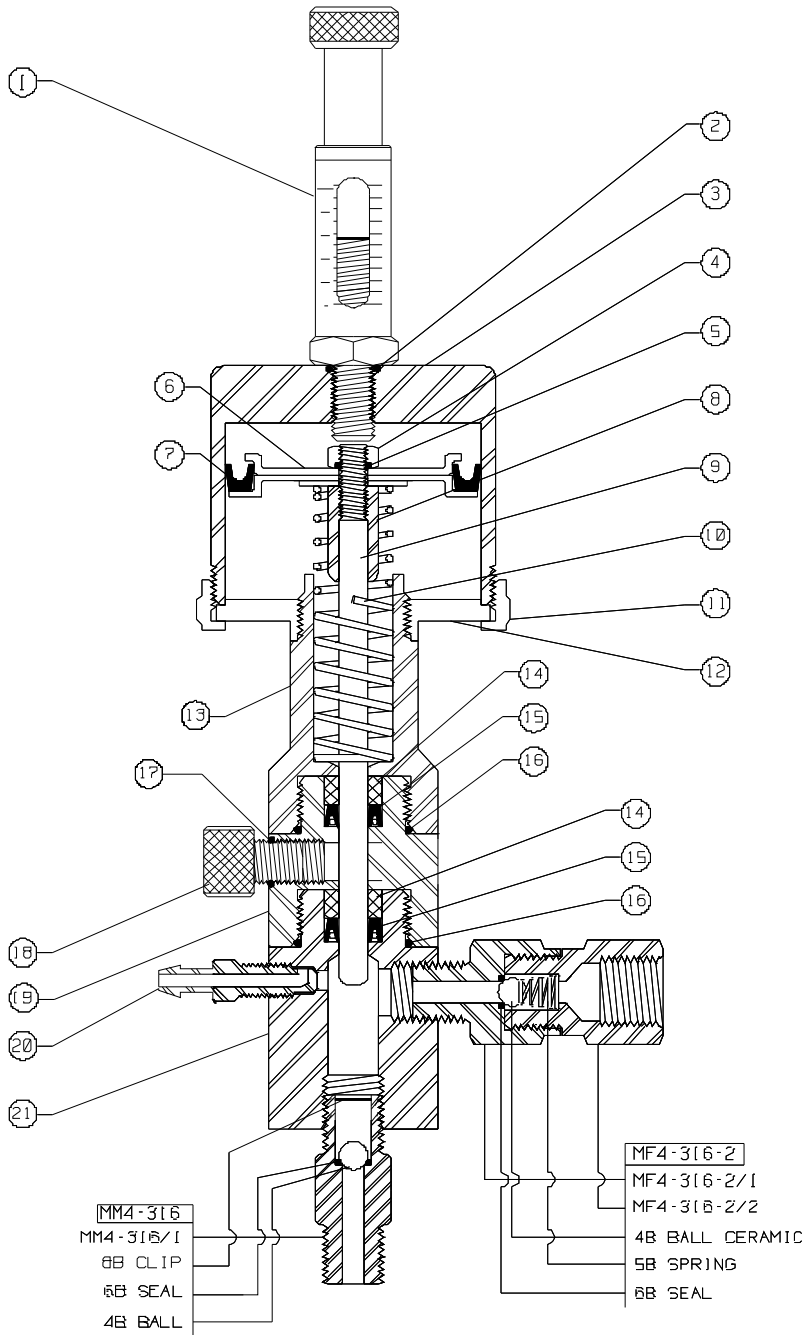
MORGAN PRODUCTS INC. 28103 Avenue Stanford / Valencia, CA 91355

(661) 257-3022 / (800) 421-8910 / Fax (661) 257-3385

MORGAN PRODUCTS

PNEUMATIC CHEMICAL PUMPS FOR THE GAS AND OIL INDUSTRIES

Parts List Model 225DS / 325DS / 425DS



| NO | NAME | PART NO. | PUMP MODEL |
|----|--|--|-------------------------------|
| 1 | Stroke Adjuster | 100-1B | ALL |
| 2 | O-Ring Seal | 100-3 * | ALL |
| 3 | Air Chambers | 200-4 300-4 400-4 | 225DS 325DS 425DS |
| 4 | Piston Locknut | 100-7 | ALL |
| 5 | O-Ring Seal | 100-11 * | ALL |
| 6 | Pistons | 200-8 300-8 400-8 | 225DS 325DS 425DS |
| 7 | Piston Seals | 200-9 * 300-9 * 400-9 * | 225DS 325DS 425DS |
| 8 | Spring Guide | 200-10 | ALL |
| 9 | Plungers: 17-4 TN Standard Optional 316 SS Carpenter 20 | 100-65 * 125-65 100-68 | ALL |
| 10 | Return Spring | 200-13 * | ALL |
| 11 | Air Chamber Ring | 200-5 300-5 400-5 | 225DS 325DS 425DS |
| 12 | Face Plates | 200-6 300-6 400-6 | 225DS 325DS 425DS |
| 13 | Oil Chamber | 200-14 | ALL |
| 14 | Back Up Ring | 100-19 *(2) | ALL |
| 15 | Pressure Seals: TG Standard Optional Buna-N Viton Fluoraz | 100-20 +*(2) 100-20B 100-20V 100-20F | ALL |
| 16 | O-Ring Seal | 100-21 *(2) | ALL |
| 17 | O-Ring Seal | 100-11 | ALL |
| 18 | Grease Plug | 125-31 | ALL |
| 19 | Double Seal Body | 125-64 | ALL |
| 20 | Bleeder Plug | 125-22 | ALL |
| 21 | Fluid Chamber | 125-23 | ALL |
| | 1/3 oz. Grease | * | ALL |
| | Elbow | 400-27 | 425DS |
| | Lock Screw | 400-28 (2) | 425DS |
| | 1/4" Washer | 400-29 (2) | 425DS |
| | Repair Kits: 17-4TN Plunger 316 Plunger | 200-70 300-70 400-70 225-70 325-70 425-70 | * = Included in Repair Kit |
| | Seal Sets: TG Buna-N Viton Fluoraz | 100-48 100-48B 100-48V 100-48F | + = Included in Seal Set |

MORGAN PRODUCTS INC. 28103 Avenue Stanford / Valencia, CA 91355

(661) 257-3022 / (800) 421-8910 / Fax (661) 257-3385