

MORGAN PRODUCTS

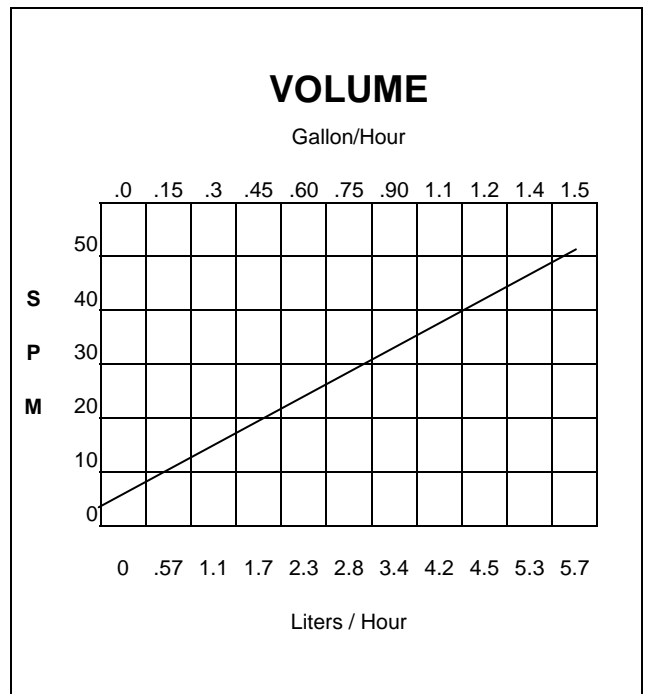
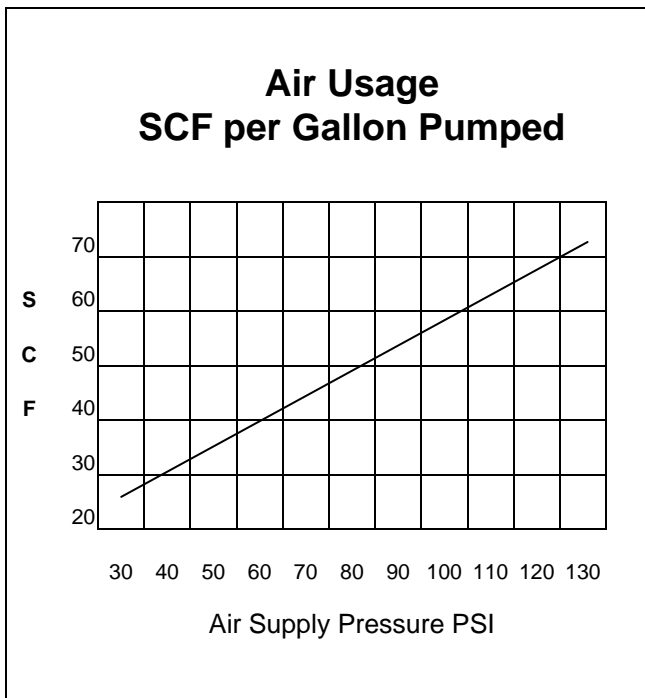
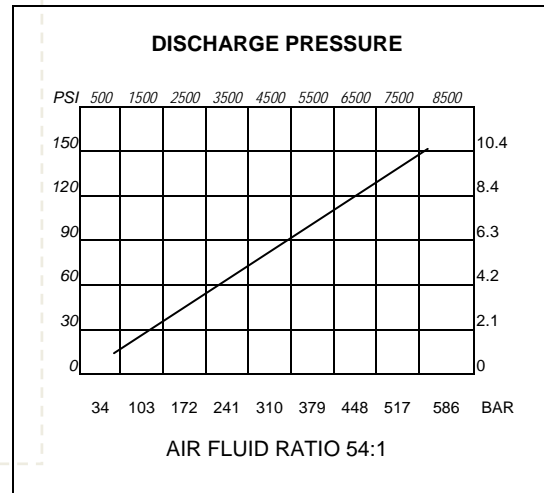
PNEUMATIC CHEMICAL PUMPS FOR THE GAS AND OIL INDUSTRIES

Setup and Features Model 335DS

All stainless steel construction. Standard plunger material is 17-4 stainless with Titanium Nitride coating. Titanium Nitride is an extremely hard ceramic material. All fluid components are 316 SS, air drive is a mix of 300 series stainless. Standard pressure seal is Graphite filled Teflon. Check valves have Teflon seats. Piston return spring is Teflon coated for increased performance. All pumps are individually tested for performance and quality.

INSTALLATION INSTRUCTIONS

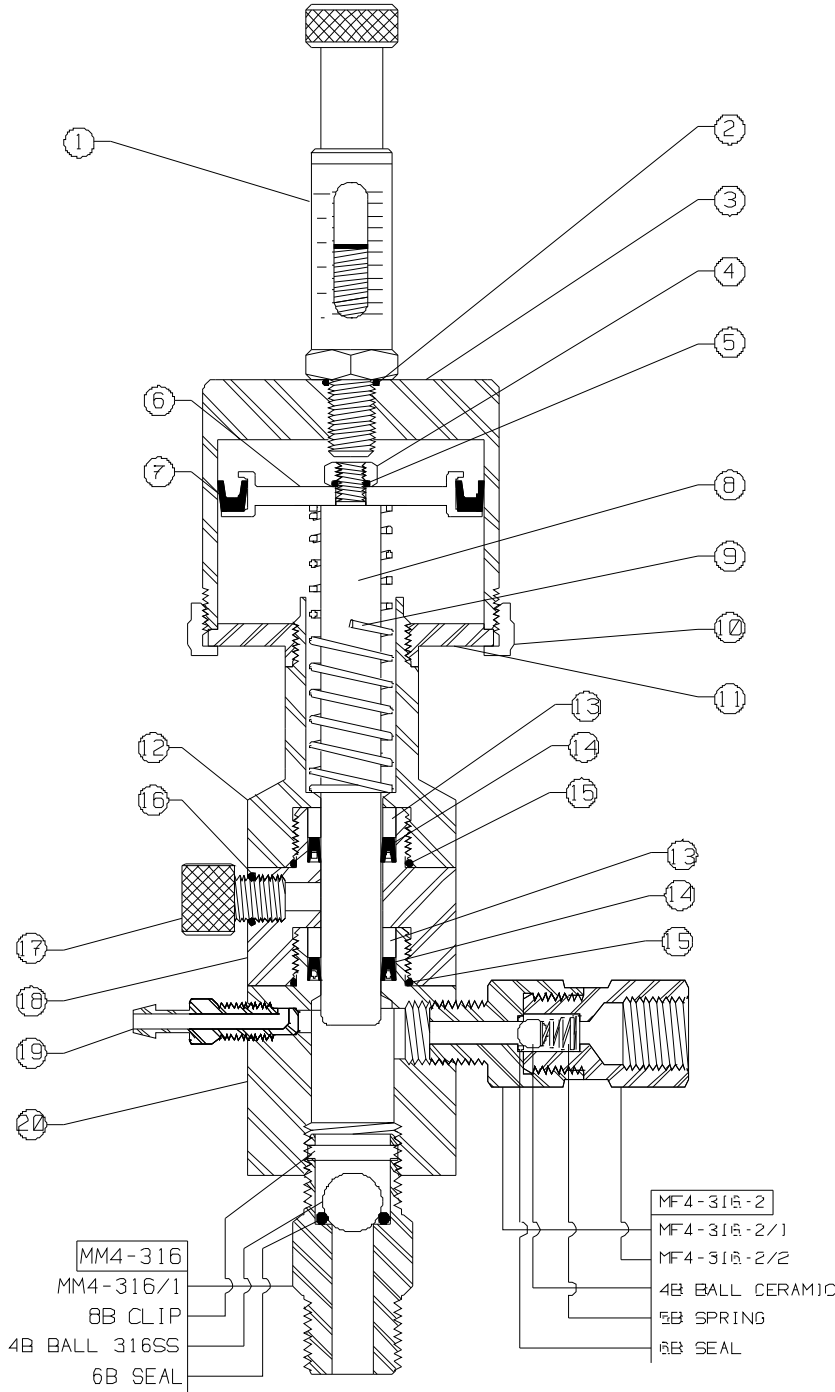
1. Discard all red plastic closures.
2. Connect suction check valve, to a gravity fed chemical source.
3. Connect discharge check valve, to process line.
4. Connect a regulated air or gas supply, to the timing relay.
5. Open bleeder valve until chemical flows from bleeder.
6. Set regulator at 10 to 15 psi ABOVE the pressure required.
(See discharge pressure graph).
7. Set cycle rate in strokes per minute.



MORGAN PRODUCTS

PNEUMATIC CHEMICAL PUMPS FOR THE GAS AND OIL INDUSTRIES

Parts List Model 235DS / 335DS / 435DS



NO	NAME	PART NO.	PUMP MODEL
1	Stroke Adjuster	100-1B	ALL
2	O-Ring Seal	100-3 *	ALL
3	Air Chambers	200-4 300-4 400-4	235DS 335DS 435DS
4	Piston Locknut	100-7	ALL
5	O-Ring Seal	100-11 *	ALL
6	Pistons	200-8 300-8 400-8	235DS 335DS 435DS
7	Piston Seals	200-9 * 300-9 * 400-9 *	235DS 335DS 435DS
8	Plungers: 17-4 TN Standard Optional 316 SS Carpenter 20	230-65 *	ALL
9	Return Spring	200-13 *	ALL
10	Air Chamber Ring	200-5 300-5 400-5	235DS 335DS 435DS
11	Face Plates	200-6 300-6 400-6	235DS 335DS 435DS
12	Oil Chamber	230-14	ALL
13	Back Up Ring	230-19 *(2)	ALL
14	Pressure Seals: TG Standard Optional Buna-N Viton Fluoraz	230-20 +*(2) 230-20B 203-20V 203-20F	ALL
15	O-Ring Seal	100-21 *(2)	ALL
16	O-Ring Seal	100-11	ALL
17	Grease Plug	125-31	ALL
18	Double Seal Body	235-64	ALL
19	Bleeder Plug	125-22	ALL
20	Fluid Chamber	235-23	ALL
	1/3 oz. Grease	*	ALL
	Elbow	400-27	435DS
	Lock Screw	400-28 (2)	435DS
	1/4" Washer	400-29 (2)	435DS
	Repair Kits: 17-4TN Plunger	230-70 330-70 430-70	* = Included in Repair Kit
	316 Plunger	235-70 335-70 435-70	
	Seal Sets: TG Buna-N Viton Fluoraz	230-48 230-48B 230-48V 230-48F	+ = Included in Seal Set

MORGAN PRODUCTS INC. 28103 Avenue Stanford / Valencia, CA 91355

(661) 257-3022 / (800) 421-8910 / Fax (661) 257-3385