

MORGAN PRODUCTS

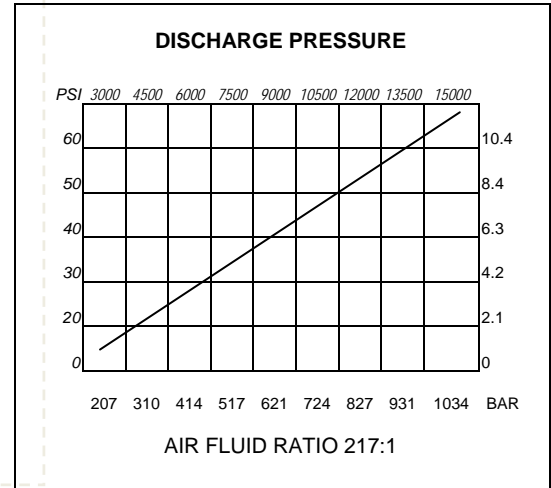
PNEUMATIC CHEMICAL PUMPS FOR THE GAS AND OIL INDUSTRIES

Setup and Features Model 425DS

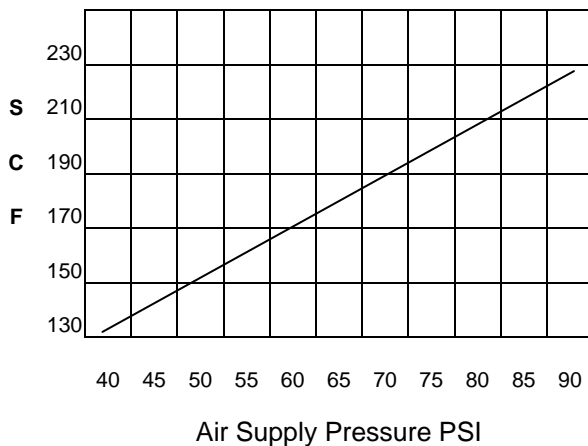
All stainless steel construction. Standard plunger material is 17-4 stainless with Titanium Nitride coating. Titanium Nitride is an extremely hard ceramic material. All fluid components are 316 SS, air drive is a mix of 300 series stainless. Standard pressure seal is Graphite filled Teflon. Check valves have Teflon seats. Piston return spring is Teflon coated for increased performance. All pumps are individually tested for performance and quality.

INSTALLATION INSTRUCTIONS

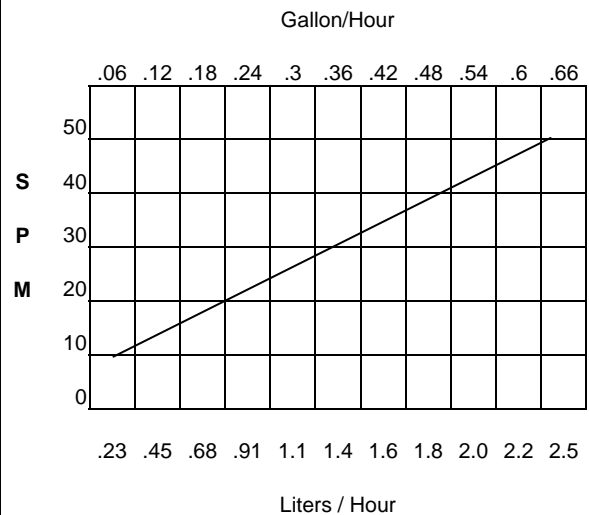
1. Discard all red plastic closures.
2. Connect suction check valve, to a gravity fed chemical source.
3. Connect discharge check valve, to process line.
4. Connect a regulated air or gas supply, to the timing relay.
5. Open bleeder valve until chemical flows from bleeder.
6. Set regulator at 10 to 15 psi ABOVE the pressure required.
(See discharge pressure graph).
7. Set cycle rate in strokes per minute.



Air Usage SCF per Gallon Pumped



VOLUME



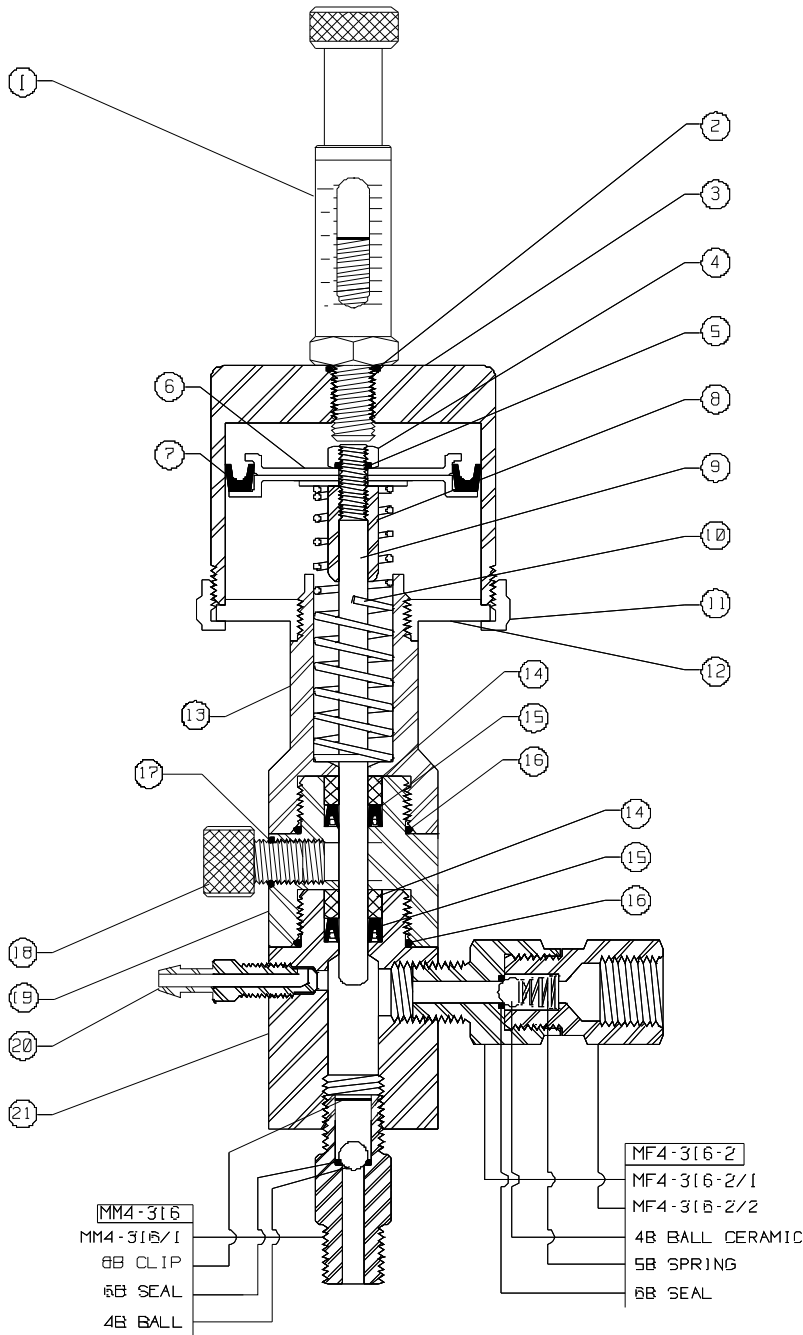
MORGAN PRODUCTS INC. 28103 Avenue Stanford / Valencia, CA 91355

(661) 257-3022 / (800) 421-8910 / Fax (661) 257-3385

MORGAN PRODUCTS

PNEUMATIC CHEMICAL PUMPS FOR THE GAS AND OIL INDUSTRIES

Parts List Model 225DS / 325DS / 425DS



NO	NAME	PART NO.	PUMP MODEL
1	Stroke Adjuster	100-1B	ALL
2	O-Ring Seal	100-3 *	ALL
3	Air Chambers	200-4 300-4 400-4	225DS 325DS 425DS
4	Piston Locknut	100-7	ALL
5	O-Ring Seal	100-11 *	ALL
6	Pistons	200-8 300-8 400-8	225DS 325DS 425DS
7	Piston Seals	200-9 * 300-9 * 400-9 *	225DS 325DS 425DS
8	Spring Guide	200-10	ALL
9	Plungers: 17-4 TN Standard Optional 316 SS Carpenter 20	100-65 * 125-65 100-68	ALL
10	Return Spring	200-13 *	ALL
11	Air Chamber Ring	200-5 300-5 400-5	225DS 325DS 425DS
12	Face Plates	200-6 300-6 400-6	225DS 325DS 425DS
13	Oil Chamber	200-14	ALL
14	Back Up Ring	100-19 *(2)	ALL
15	Pressure Seals: TG Standard Optional Buna-N Viton Fluoraz	100-20 +(2) 100-20B 100-20V 100-20F	ALL
16	O-Ring Seal	100-21 *(2)	ALL
17	O-Ring Seal	100-11	ALL
18	Grease Plug	125-31	ALL
19	Double Seal Body	125-64	ALL
20	Bleeder Plug	125-22	ALL
21	Fluid Chamber	125-23	ALL
	1/3 oz. Grease	*	ALL
	Elbow	400-27	425DS
	Lock Screw	400-28 (2)	425DS
	1/4" Washer	400-29 (2)	425DS
	Repair Kits: 17-4TN Plunger 316 Plunger	200-70 300-70 400-70 225-70 325-70 425-70	* = Included in Repair Kit
	Seal Sets: TG Buna-N Viton Fluoraz	100-48 100-48B 100-48V 100-48F	+ = Included in Seal Set

MORGAN PRODUCTS INC. 28103 Avenue Stanford / Valencia, CA 91355

(661) 257-3022 / (800) 421-8910 / Fax (661) 257-3385