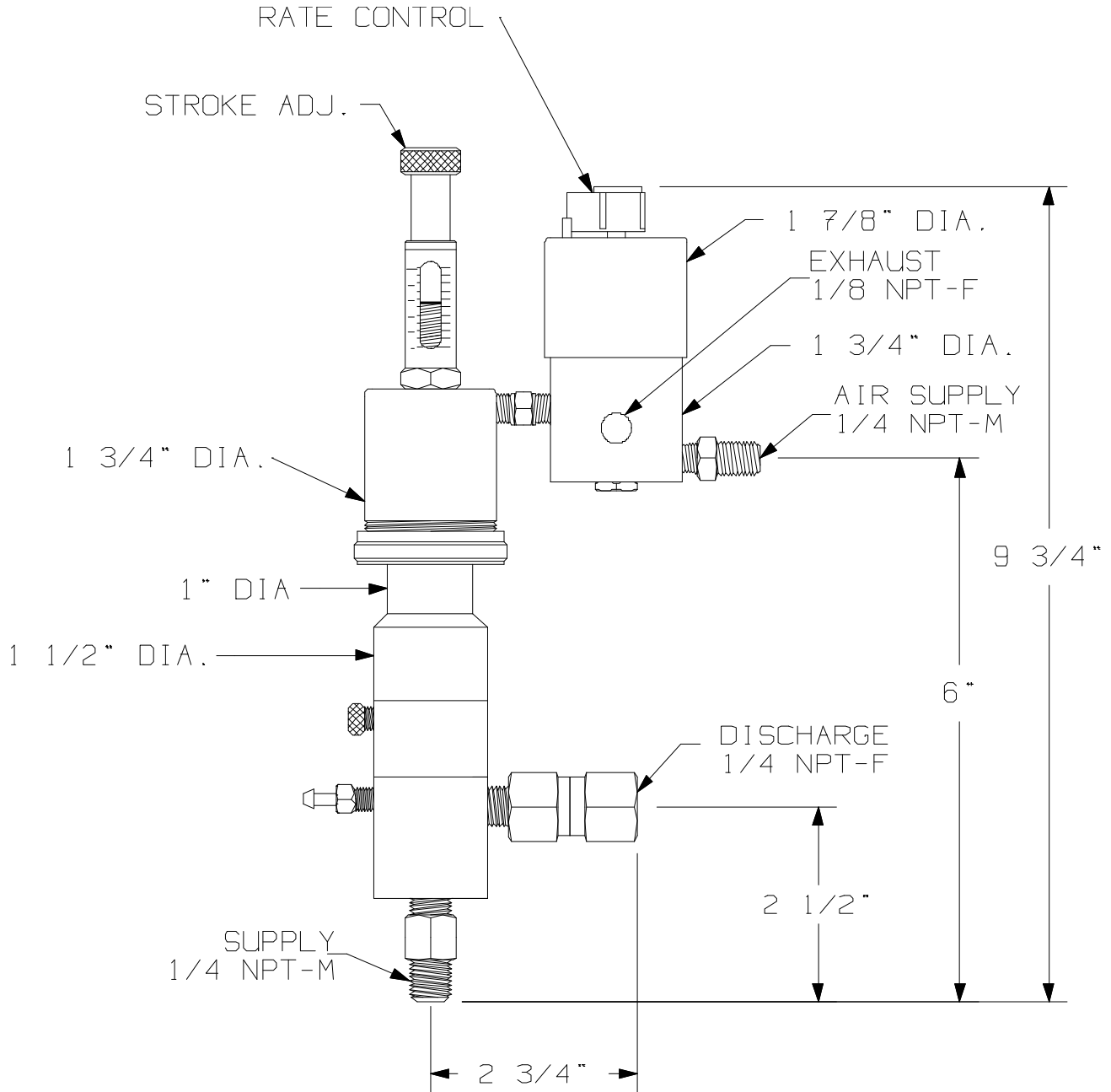


# MORGAN PRODUCTS

PNEUMATIC CHEMICAL PUMPS FOR THE GAS AND OIL INDUSTRIES

## MODEL 125DS-TR2

AIR ACTUATED POSITIVE DISPLACEMENT PUMP



MODEL (WITH TIMER)	DISPLACEMENT	PUMP RATIO	STROKE LENGTH 1n. - cm.	CONNECTIONS ALL NPT INPUT / OUTPUT	MAXIMUM DISCHARGE PSI - BAR	OUTPUT PER HOUR GAL. - LTS
225DS-TR2	.8 cc	31:1	1 - 2.54	1/4-M / 1/4-F	4650 - 320	.06-.63 / .24-2.4

MORGAN PRODUCTS INC. 28103 Avenue Stanford / Valencia, CA 91355

(661) 257-3022 / (800) 421-8910 / Fax (661) 257-3385