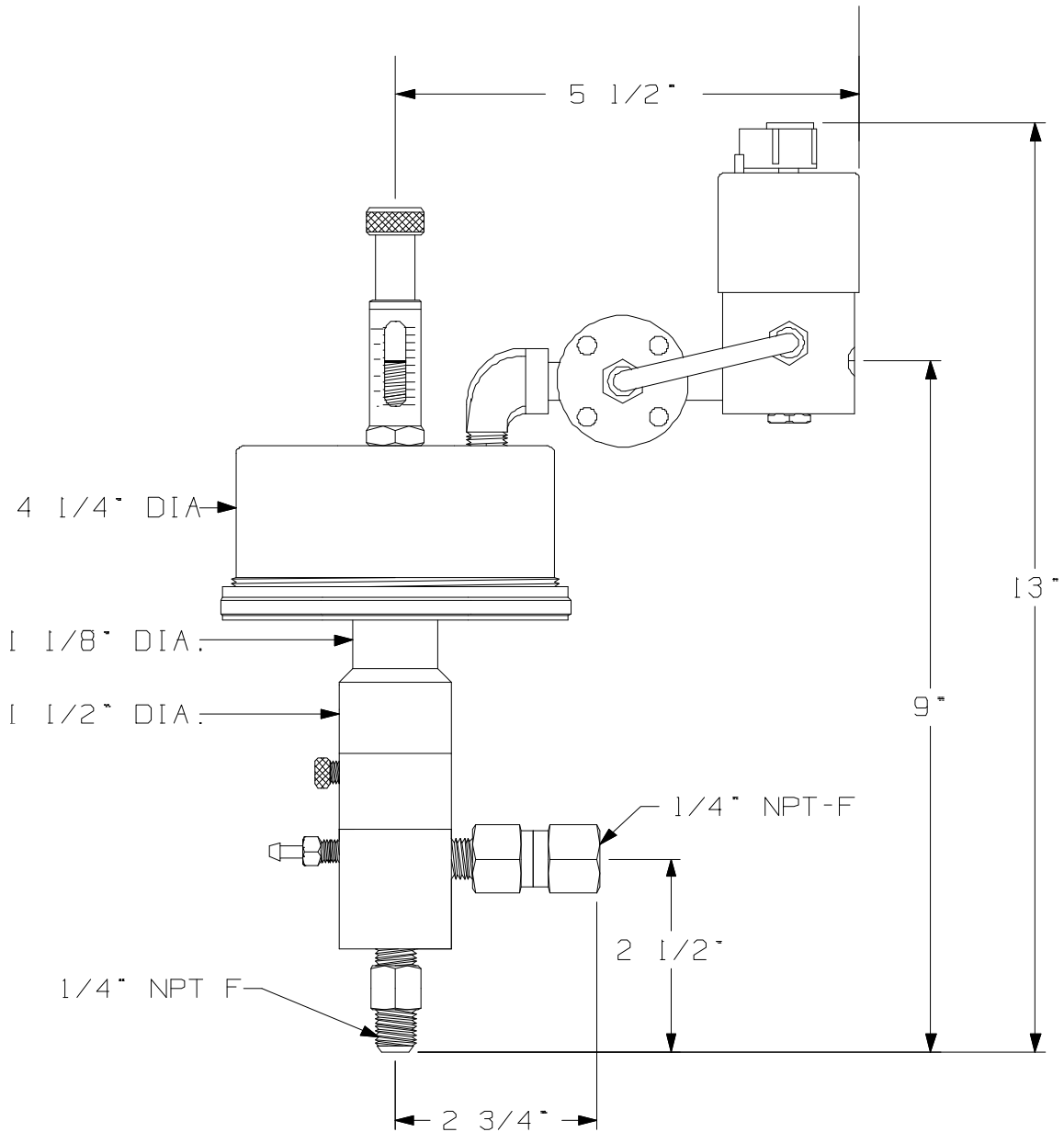


MORGAN PRODUCTS

PNEUMATIC CHEMICAL PUMPS FOR THE GAS AND OIL INDUSTRIES

MODEL 425DS-TR2-SR1S AND 435DS-TR2-SR1S

AIR ACTUATED POSITIVE DISPLACEMENT PUMP



MODEL (WITH TIMER)	DISPLACEMENT	PUMP RATIO	STROKE LENGTH 1n. - cm.	CONNECTIONS ALL NPT INPUT / OUTPUT	MAXIMUM DISCHARGE PSI - BAR	OUTPUT PER HOUR GAL. - LTS
425DS-TR2-SR1S	.8 cc	217:1	1 - 2.54	1/4-M / 1/4-F	15000 - 1064	.06-.63 / .24-2.4
435DS-TR2-SR1S	1.8 cc	97:1	1 - 2.54	1/4-M / 1/4-F	10000 - 689	.15-1.5 / .55-5.5

MORGAN PRODUCTS INC. 28103 Avenue Stanford / Valencia, CA 91355

(661) 257-3022 / (800) 421-8910 / Fax (661) 257-3385