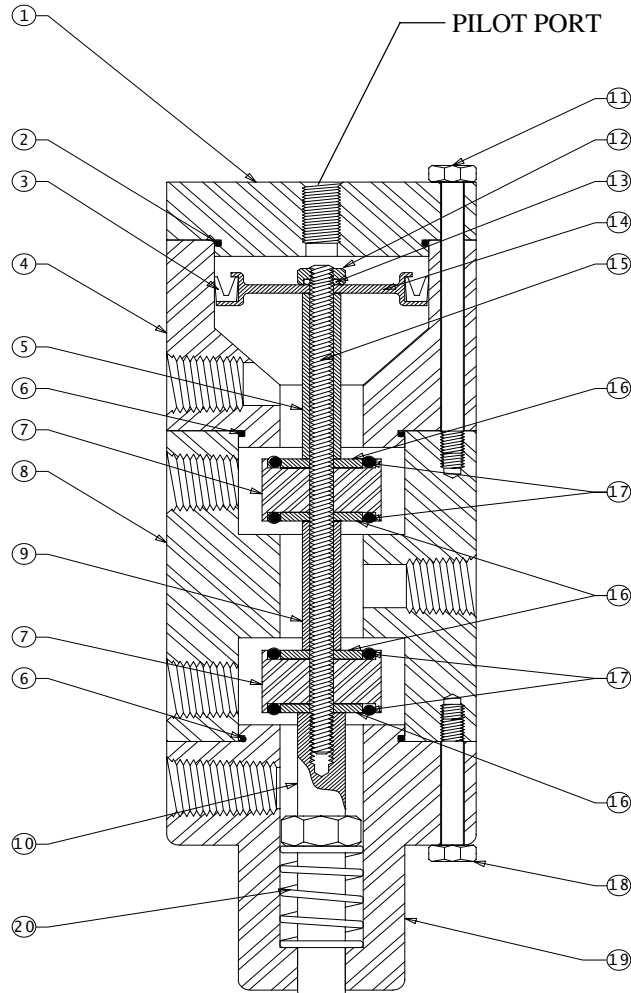


MORGAN PRODUCTS

PNEUMATIC CHEMICAL PUMPS FOR THE GAS AND OIL INDUSTRIES

PARTS LIST MODEL SR3S RELAY



No.	Name	Part No.
1	Cap	SR3S-2
2	O-Ring	SR3S-1 *
3	Piston Seal	200-9 *
4	Upper Valve Body	SR3S-4
5	Upper Shaft	SR3S-9
6	O-Ring	SR3S-3 (2)*
7	Poppet Body	SR3S-5 (2)
8	Center Valve Body	SR3S-6
9	Center Shaft	SR3S-12
10	Lower Shaft	SR3S-14
11	Bolt	SR3S-7 (4)
12	Locknut	100-7
13	O-Ring	100-11 *
14	Piston	200-8
15	Tie Rod	SR3S-8
16	O-Ring Retainer	SR3S-9 (4)
17	Poppet O-Ring	SR3S-10 (4)*
18	Bolt	HD312-3K-36 (4)
19	Lower Body	SR3S-16
20	Spring	SR3S-15 *
	Repair Kit	SR3S-50
	1oz Grease	*

NOTE:

Pilot port is 1/8" NPT-Female, all others are 1/2" NPT- Female.

* Included in Repair Kit

MORGAN PRODUCTS INC. 28103 Ave. Stanford / Valencia, CA 91355

(661) 257-3022 - (800) 421-8910 - FAX (661) 257-3385 - www.morganproducts.com - E-Mail info@morganproducts.com