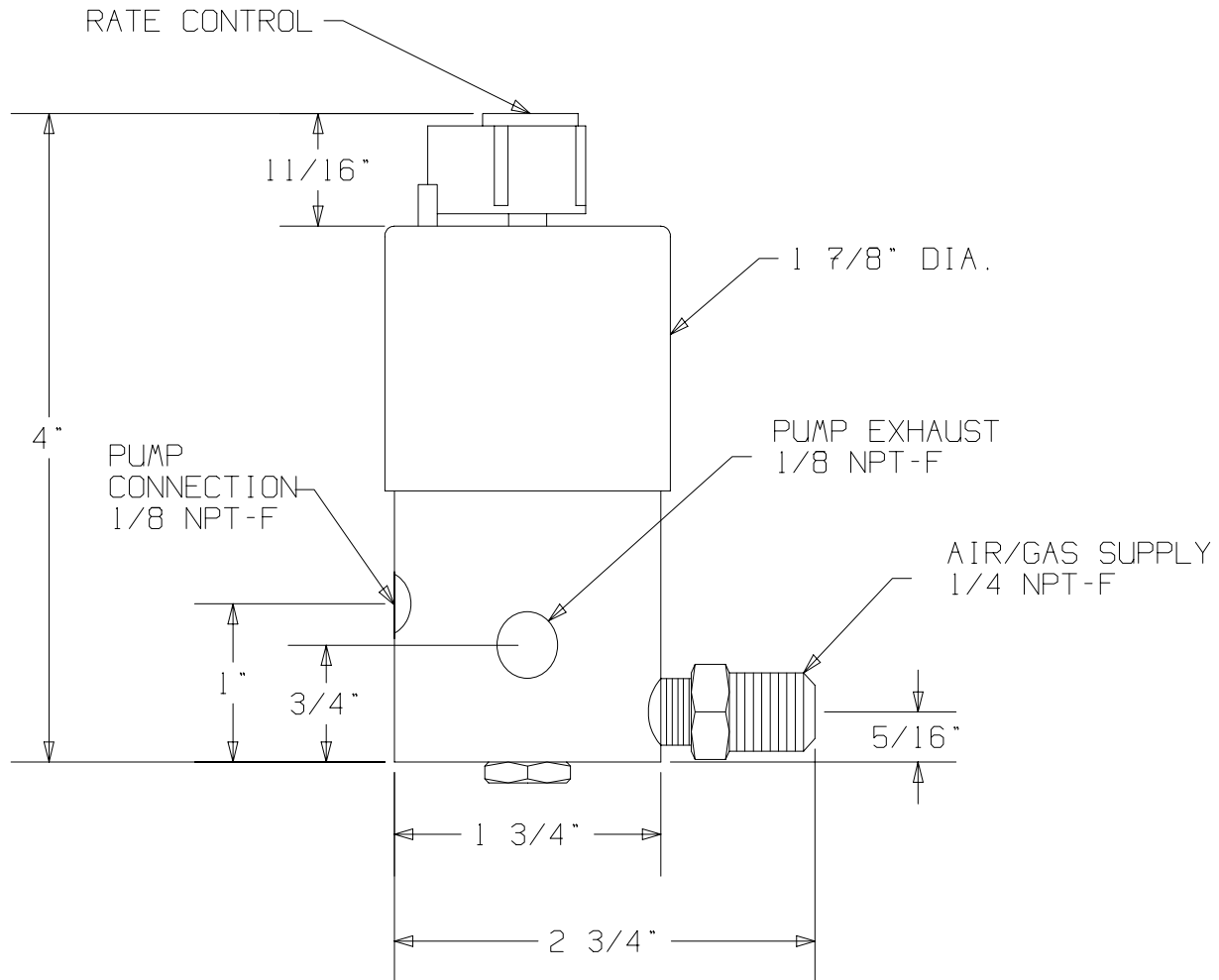


# MORGAN PRODUCTS

PNEUMATIC CHEMICAL PUMPS FOR THE GAS AND OIL INDUSTRIES

## MODEL TR2 AIR ACTUATED TIMER



CONNECTIONS  
INPUT, OUTPUT, EXHAUST

RANGE  
SPM

PRESSURE RATING  
PSI / BAR

MATERIAL

1/8 NPT-FEMALE \*

0 - 50

25-150 / 1.7-10.3

300 SERIES SS

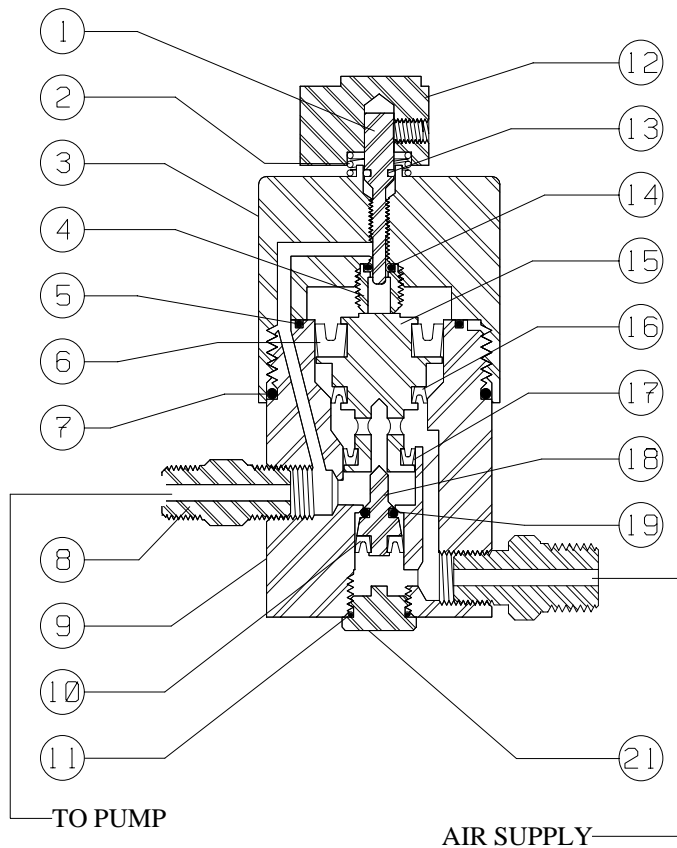
**MORGAN PRODUCTS INC.** 28103 Ave. Stanford / Valencia, CA 91355

(661) 257-3022 - (800) 421-8910 - FAX (661) 257-3385 - www.morganproducts.com - E-Mail info@morganproducts.com

# MORGAN PRODUCTS

PNEUMATIC CHEMICAL PUMPS FOR THE GAS AND OIL INDUSTRIES

## Parts List Model TR2



NO	NAME	PART NO.	MATERIAL
1	Metering Valve	TR2-3	303 SS
2	Knob Spring	TR2-2	302 SS
3	Upper Body	TR2-5	303 SS
4	Metering Seat	TR2-6	18-8 SS
5	O-Ring	TR2-13 *	BUNA-N
6	Upper Seal	TR2-10 *	VITON
	Optional	TR2-10T *	TEFLON
7	O-Ring	TR2-14 *	BUNA-N
8	1/8 x 1/8 NPT Nipple	TR2-22	303 SS
9	Lower Body	TR2-8	303 SS
10	Poppet Seal	TR2-17 *	VITON
	Optional	TR2-17T *	TEFLON
11	Plug Seal	TR2-18 *	BUNA-N
12	Knob	TR2-1	PLASTIC
13	O-Ring	TR2-4 *	BUNA-N
14	Teflon Seal	TR2-7 *	TEFLON
15	Piston	TR2-9	NYLON
	Optional	TR2-29 *	ALUM
16	Middle Seal	TR2-11 *	VITON
	Optional	TR2-11T *	TEFLON
17	Lower Seal	TR2-12 *	VITON
	Optional	TR2-12T *	TEFLON
18	Poppet	TR2-15	PVC
19	Poppet O-Ring	TR2-16 *	VITON
N/I	1/8 x 1/4 NPT Nipple	TR2-21	303 SS
21	Plug	TR2-19	303 SS
	1oz. Grease	*	
	Repair Kit	TR2-50	

\* = Included in Repair Kit

### INSTALLATION INSTRUCTIONS

1. Choose the chemical injector best suited for your specific needs.
2. Connect the port marked "TO PUMP" on the TR2 to the air inlet port at the top of the pump.
3. Connect the air or gas supply to the port marked "AIR SUPPLY".
4. Open the control knob counter clockwise about 3/4 of a turn. The timer should start to cycle.
5. Set the air supply so that the pump full strokes. See pump start up instructions.
6. Set cycle rate in strokes per minute. (See volume graph for specific pump)
7. For continued reliable operation keep all rubber goods lubricated with Morgan Products 4024 grease. Depending on specific application approximately every 30-60 days.

**MORGAN PRODUCTS INC.** 28103 Ave. Stanford / Valencia, CA 91355

(661)257-3022 - (800)421-8910 - FAX (661)257-3385 - www.morganproducts.com - E-Mail info@morganproducts.com